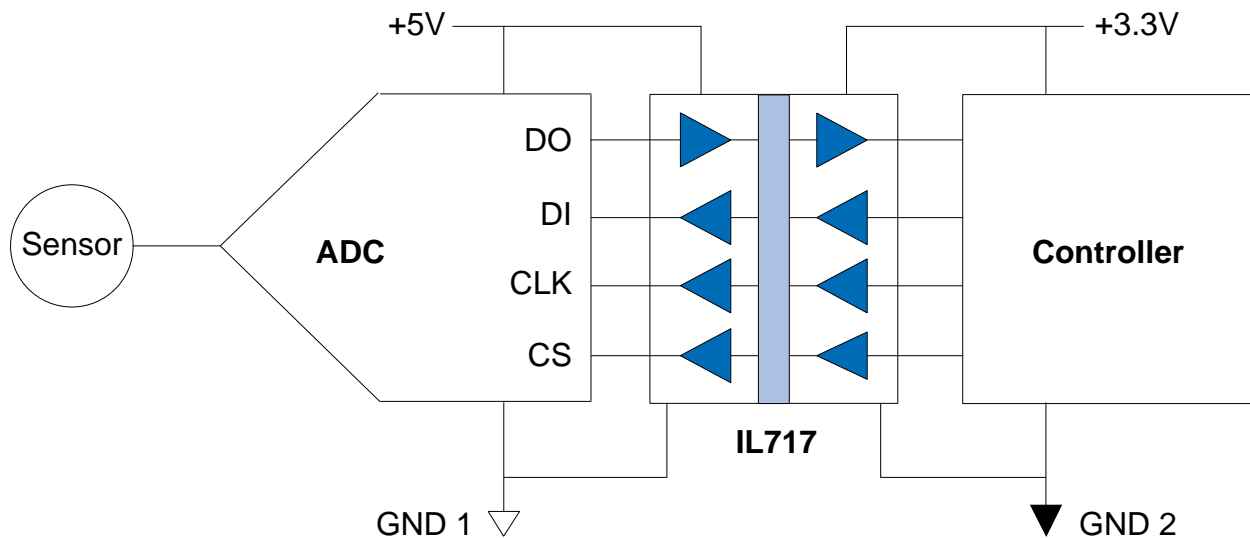


## Application Bulletin AB-4 Isolated Logic Level Shifters

IsoLoop<sup>®</sup> IL700/IL200-Series Isolators can be used in 5 V / 3.3 V mixed systems as level-shifters. With true logic-to-logic I/O, data rates of up to 150 Mbps, and compliance with today's stringent requirements for conducted and radiated emissions and susceptibility, the IsoLoop product family allows today's designer the opportunity to design for tomorrow.

Figure 1 shows an application where the IL717 is used to isolate and level-shift data from an ADC powered from 5 V to a logic controller powered from 3.3 V.



**Figure 1: Isolated Sensor / ADC Application.**

With typical bandwidth of 110 Mbps and channel-to-channel skew of 2 ns, the IL717 enables very high bandwidth sensor applications such as vibration analysis using accelerometers. The IL700/IL200-Series is available in a variety of configurations with up five channels per device. Versions are available in a unique ultra-dense 0.15" narrow-body SOIC package.

*ISB-AP-04; rev. March 2008*