



ALT025-10E TMR Magnetometer

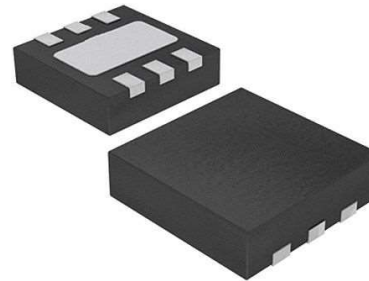
- 8 mV/V/mT sensitivity; 10 mT range
- 1% linearity; 1% hysteresis;
- 2.5 x 2.5 x 0.8 mm package
- 20 k Ω resistance

sensor-apps@nve.com

nve.com

+1 952 829 9217

TMR Sensors
*Manufactured in
Eden Prairie,
Minnesota, USA*



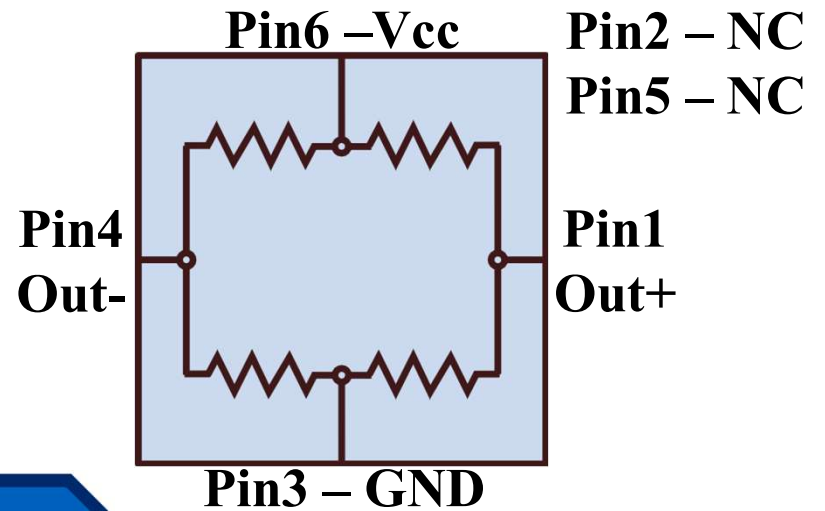
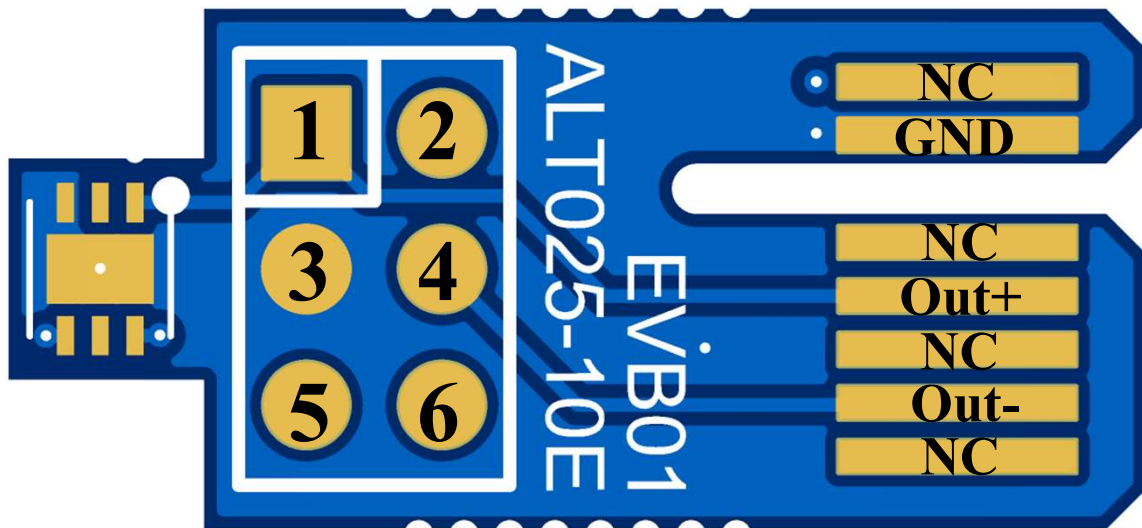
***Download the
product datasheet:***



ALT025-10E-EVB01

NVELink

Approximate Dimensions:
21.34 x 9.75 x 1.6 mm



Card-Edge Connections
← Front Back →
1.0 mm pitch

