



## **ALT023-10E TMR Magnetometer**

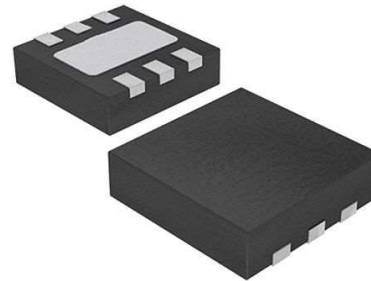
- 200 mV/V/mT sensitivity
- 1% linearity; 1.5 mT linear range
- 2.5 x 2.5 x 0.8 mm package
- 20 k $\Omega$  resistance

[sensor-apps@nve.com](mailto:sensor-apps@nve.com)

[nve.com](http://nve.com)

+1 952 829 9217

***TMR Sensors  
Manufactured in  
Eden Prairie,  
Minnesota, USA***



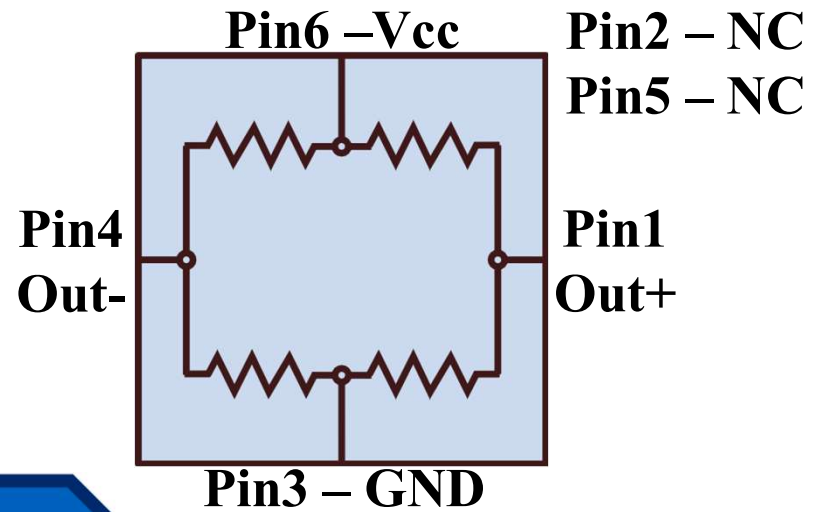
***Download the  
product datasheet:***



# ALT023-10E-EVB01

## NVELink

Approximate Dimensions:  
21.34 x 9.75 x 1.6 mm



**Card-Edge Connections**  
← Front Back →  
1.0 mm pitch

