

# NVE

NVE CORPORATION

## AHT924-20E TMR Switch

- 0.65 mm WLCSP
- 0.9 to 1.8 V; 350 nA typical supply
- 2.2 mT magnetic operate point
- 3 kHz frequency bandwidth

[sensor-apps@nve.com](mailto:sensor-apps@nve.com)

[nve.com](http://nve.com)

+1 952 829 9217

**TMR Sensors**  
*Manufactured in  
Eden Prairie,  
Minnesota, USA*



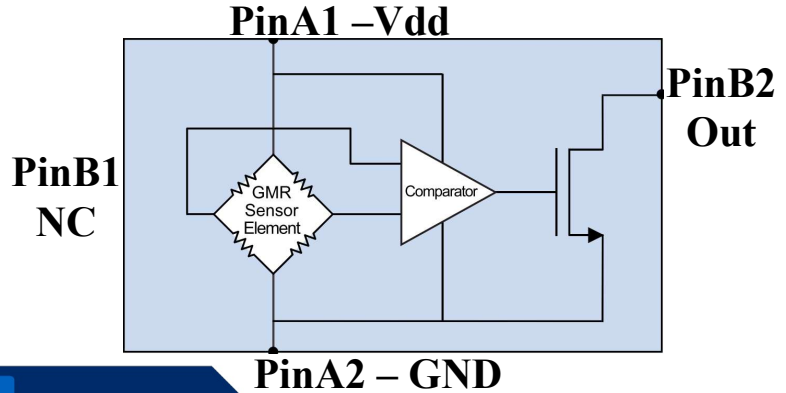
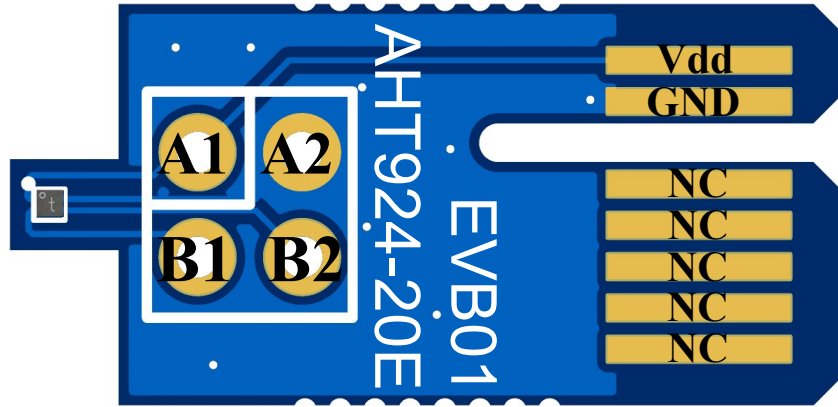
**Download the  
product datasheet:**



# AHT924-20E-EVB01

## NVELink

Approximate Dimensions:  
20.3 x 9.8 x 1.6 mm



	NC
	GND
<b>Card-Edge Connections</b>	NC
← Front Back →	Out
1.0 mm pitch	NC
	NC