



AHT923-20E TMR Switch

- 0.65 mm WLCSP
- 0.9 to 1.8 V; 350 nA typical supply
- 3.2 mT magnetic operate point
- 3 kHz frequency bandwidth

sensor-apps@nve.com

nve.com

+1 952 829 9217

TMR Sensors
*Manufactured in
Eden Prairie,
Minnesota, USA*



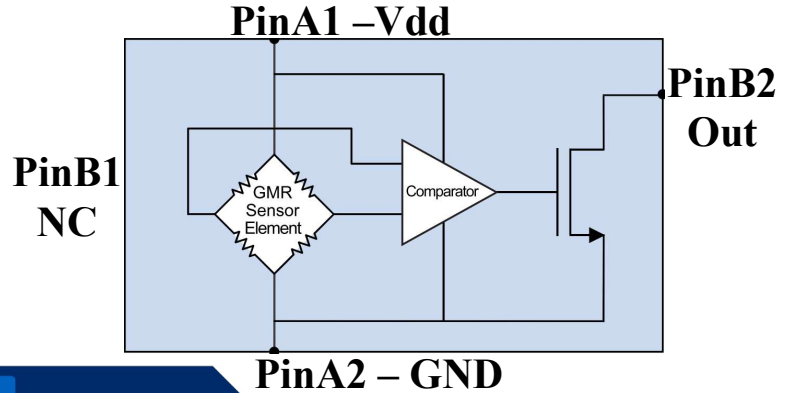
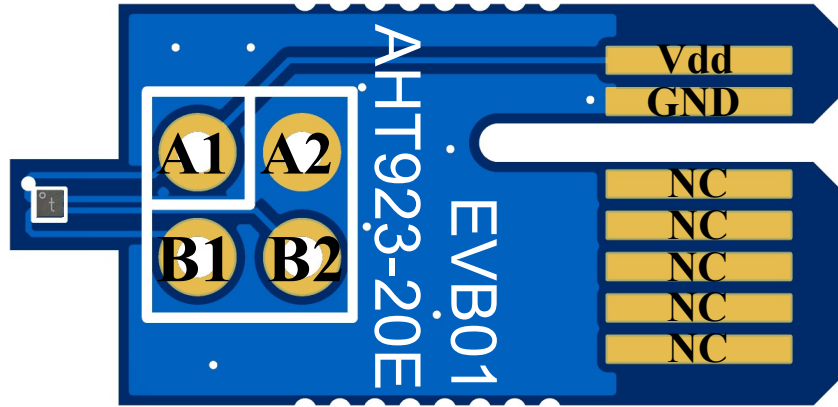
***Download the
product datasheet:***



AHT923-20E-EVB01

NVELink

Approximate Dimensions:
20.3 x 9.8 x 1.6 mm



| | |
|------------------------------|-----|
| | NC |
| | GND |
| Card-Edge Connections | NC |
| ← Front Back → | Out |
| 1.0 mm pitch | NC |
| | NC |
| | NC |